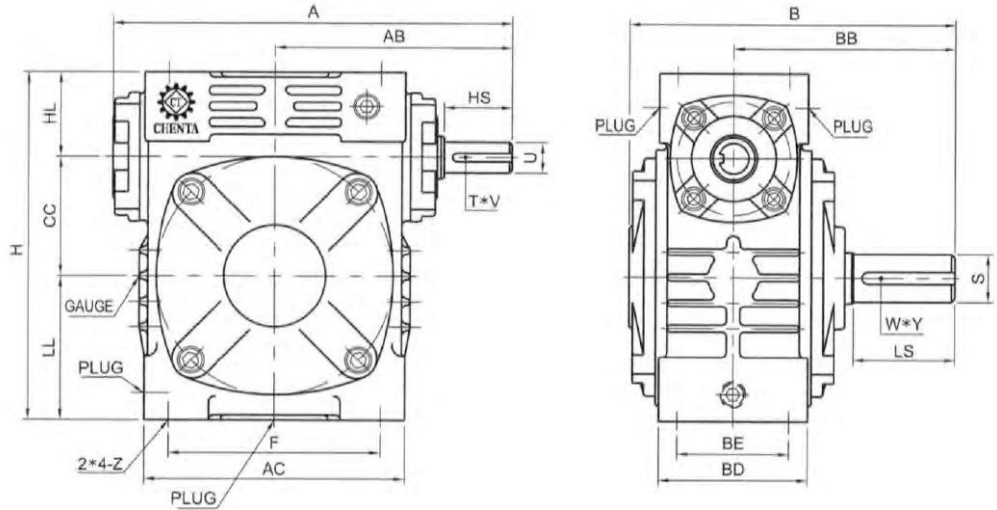




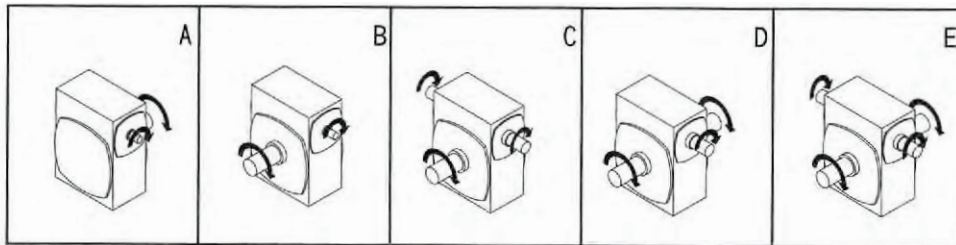
# USS - UNIVERSAL Speed Reducer



GEAR REDUCERS

Size	Ratio	A	AB	AC	B	BB	BD	BE	CC	F	H	HL	LL	Z
40	1/10	6.181	3.799	4.016	4.980	3.297	2.677	2.126	1.575	3.150	5.000	1.339	2.087	5/16-18
50	1/15	7.047	4.134	4.528	5.787	3.740	2.677	1.969	1.969	3.543	5.906	1.378	2.559	5/16-18
60	1/20	7.795	4.724	5.000	6.614	4.331	3.071	2.126	2.362	3.937	6.969	1.654	2.953	3/8-16
70	1/30	9.213	5.512	6.063	8.110	5.118	3.465	2.598	2.756	4.921	8.071	1.969	3.346	3/8-16
80	1/40	10.433	6.299	6.890	8.504	5.512	3.819	2.953	3.150	5.709	9.134	2.362	3.622	3/8-16
100	1/50	12.795	7.559	8.819	10.236	6.693	4.567	3.563	3.937	7.374	12.205	3.150	5.118	1/2-13
120	1/60	15.197	9.055	10.394	11.339	7.480	5.354	3.937	4.724	9.125	14.567	3.740	6.102	5/8-11

Unit: Inch,



Size	Input Shaft			Output Shaft		
	HS	U	T*V	LS	S	W*Y
40	1 1/8	1/2	1/8*1/16	1 3/8	5/8	3/16*3/32
50	1 3/16	5/8	3/16*3/32	1 9/16	3/4	3/16*3/32
60	1 9/16	3/4	3/16*3/32	2	1	1/4*1/8
70	1 9/16	7/8	3/16*3/32	2 3/8	1 1/8	1/4*1/8
80	2	1 1/8	1/4*1/8	2 9/16	1 3/8	5/16*5/32
100	2	1 1/8	1/4*1/8	2 15/16	1 1/2	3/8*3/16
120	2 9/16	1 1/4	1/4*1/8	3 15/16	1 3/4	3/8*3/16

