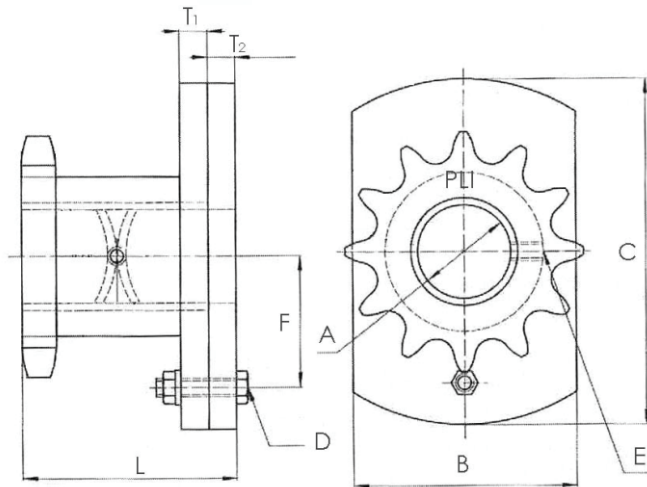


Shear-Bolt Spkts



Part No.	Dimensions (Inches)								SHEAR-BOLTS		Weight Lbs.
	A	B	C	E	F	L	T(1&2)	Qty.	Size (D)		
SB5012E	1	2	3 5/32	1/4-20UNF	1 1/4	2 3/4	1/4	1	1/4-20 X 1-1/4	1.3	
SB6012H	1 1/4	2 1/2	4 5/8	1/4-20UNF	1 3/4	2 7/8	3/8	1	1/4-20 X 1-1/4	3.7	
SB6012HB	1 1/4	2 1/2	4 5/8	1/4-20UNF	1 3/4	2 7/8	3/8	1	5/16-18 X 1-1/4	3.7	
SB8012P	1 3/4	2 1/2	5	1/4-20UNF	2	3 7/8	3/8	2	5/16-18 X 1-1/4	5.3	



Split-to-Bolt Hubs

Part No.	Dimensions (Inches)					BOLTS		Weight Lbs.
	B	C	D	E	LTB	Qty.	Size	
QW19375	2 3/4	3	3 1/2	5	1 7/8	2	3/8-16 x 1-1/2	3.3
QW29375	2 3/4	4 1/2	5 1/2	6 1/2	1 7/8	2	3/8-16 x 1-1/2	3.6

