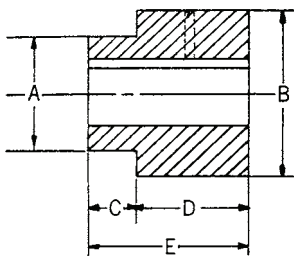


Weld-on-Hubs

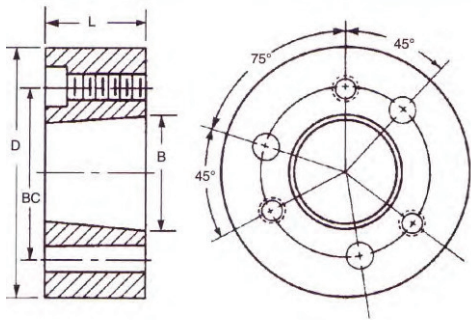


HUB DIMENSIONS

Weld-on Hubs



Part No.	Bore Range	Dimensions				
		A	B	C	D	E
V-Hub	1/2 to 7/8	1 1/8	1 7/16	7/16	3/4	1 3/16
W-Hub	1/2 to 1-1/4	1 5/8	1 13/16	7/16	1	1 7/16
X-Hub	5/8 to 1-1/2	2	2 1/2	7/16	1	1 7/16
XX-Hub	1", 1-1/4, 1-1/2	2	3	7/16	1 1/16	1 1/2
Y-Hub	1" to 2"	2 3/4	3 3/4	11/16	1 3/16	1 7/8
YY-Hub	2" plain bore	2 3/4	5 3/4	11/16	1 7/16	2.1/8



QD Weld-on Hubs

Part No.	Dimensions				
	D	L	B	BC	wgt.(lbs.)
H-SH	3	13/16	1 27/31	2 1/4	1
H-SDS	3 1/2	3/4	2 3/16	2 11/16	1 1/4
H-SK	4 3/8	1 1/4	2 13/16	3 5/16	3
H-SF	5	1 1/4	3 1/8	3 7/8	4
H-E	6 1/4	1 5/8	3 5/6	5	9

SPLIT TAPER Weld-on Hubs

Part No.	Bush	OD	Dimensions											
			A	B	C	K	V	W	X	a	d	no.	size	wt. lbs.
HH1	H	2 1/2	0.174	1.621	2 3/8	-	2	-	7/8	-	7/8	2	1/4-20	0.65
HP1	P1	3	0.292	1 15/16	2 7/8	1 3/32	2 9/16	3/8	1 5/16	60	5/8	3	5/16-18	1.45
HQ1	Q1	4 1/2	0.709	2 7/8	4 3/8	1 9/16	3 3/8	1/2	1 3/4	60	7/8	3	3/8-16	4.45
HR1	R1	5 3/4	0.709	4	5 5/8	2 3/16	4 5/8	3/4	2	60	1 1/8	3	3/8-16	7.50
HS1	S1	6 3/4	0.946	4 5/8	6 1/2	2 9/16	5 3/8	3/4	3 5/16	60	1 5/8	3	1/2-13	17.25

