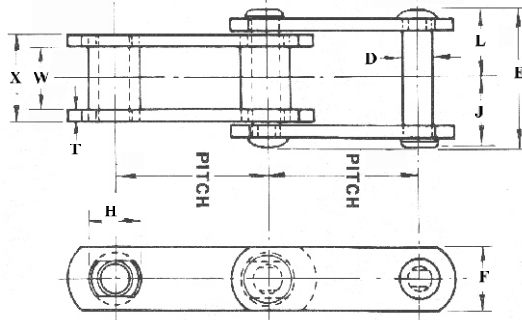
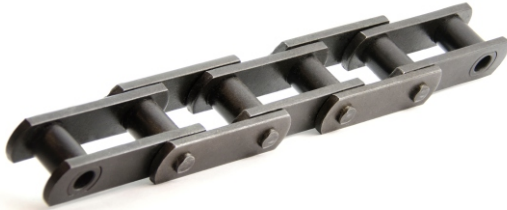


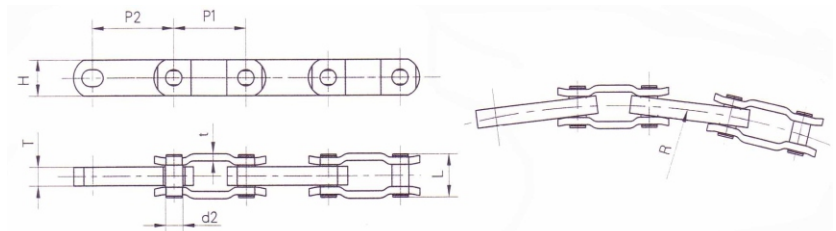
SS-Class Steel Bushed

Chain No.	Pitch in Inches	No. of Links in 10 feet	Average wgt. Per foot lbs.	Average Ultimate Strength lbs.	Dimensions								
					D	E	F	H	J	L	T	W	X
SS 188	2.609	46	3.8	25,000	0.500	2.50	1.12	0.88	1.25	1.25	0.25	1.06	1.56
SS 131	3.075	39	7.4	40,000	0.625	3.50	1.50	1.25	1.62	1.75	0.38	1.31	2.06
SS 102B	4.000	30	6.9	40,000	0.625	4.38	1.50	1.00	2.05	2.19	0.38	2.12	2.88



Double-Flex

Chain No.	Pitch		No. Links in 10 feet	Average wgt. Per foot lbs.	Average Ultimate Strength lbs.	Plate			Pin		Side Bow Radius
	P1	P2				Inner T	Outer t	H	d2	L	
DF3500	2.500	3.000	48	3.3	48,000	0.626	0.25	1.25	0.57	1.46	20.00



8" Pitch Conveyor Chain

Chain No.	Pitch P	Roller Dia. d1	Inner Plates b1	Pin Dimensions		Plate Dimensions					No. Links in 10 feet	Average wgt. Per foot lbs.	Average Ultimate Strength lbs.	
				d2	L	h2	d3	d4	J	K				T
3939-B4	8.000	0.906	1.063	0.437	1.929	1.125	0.283	0.283	1.500	4.000	0.157	15	1.6	24,000

